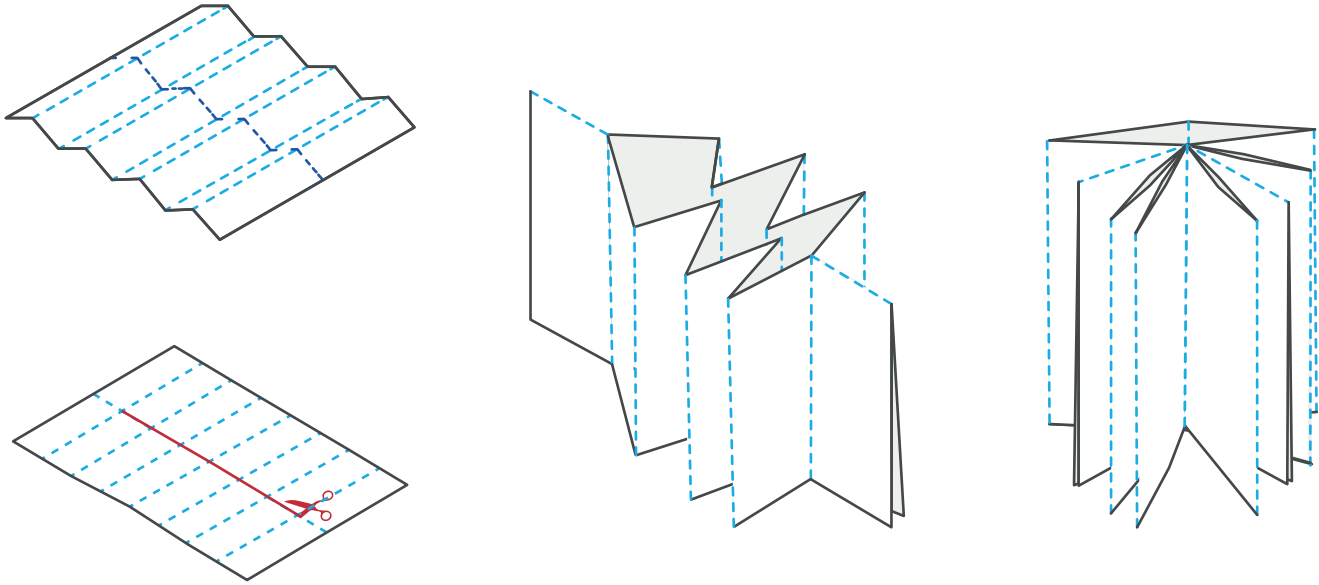


Bookbinding - One Sheet Books

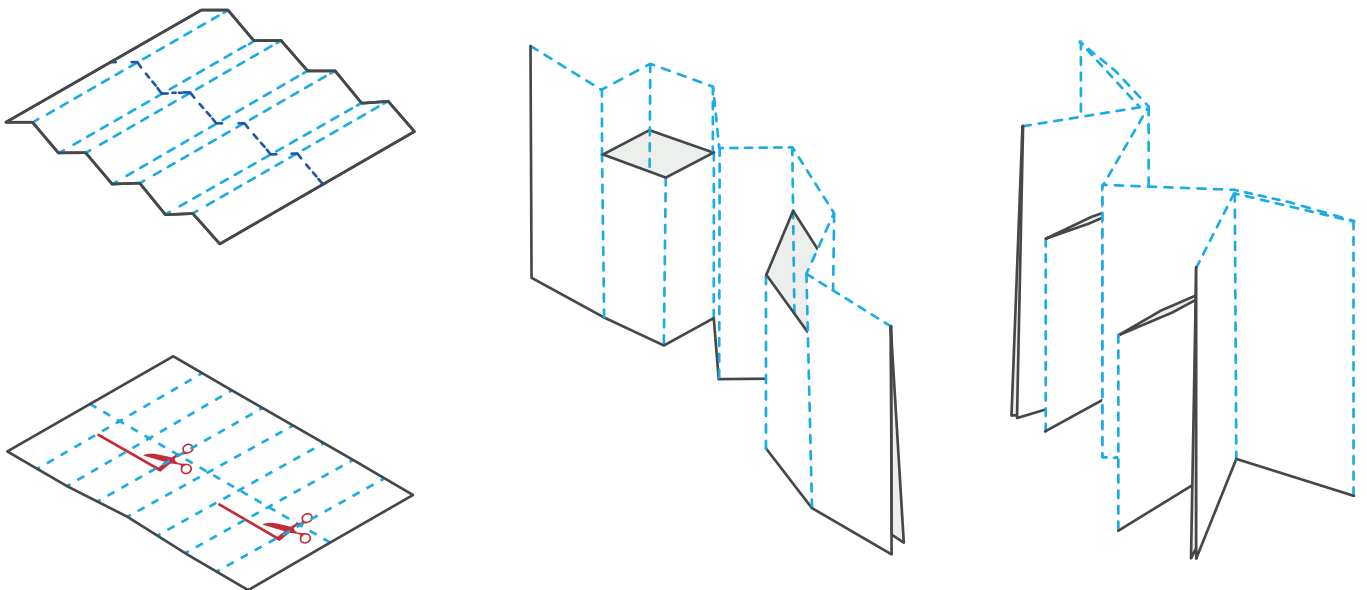
Folded Booklet Variations

8 Section Centre Cut



By increasing the number of sections of your accordion to eight you can produce a 16 page booklet.

8 Section Offset Cut

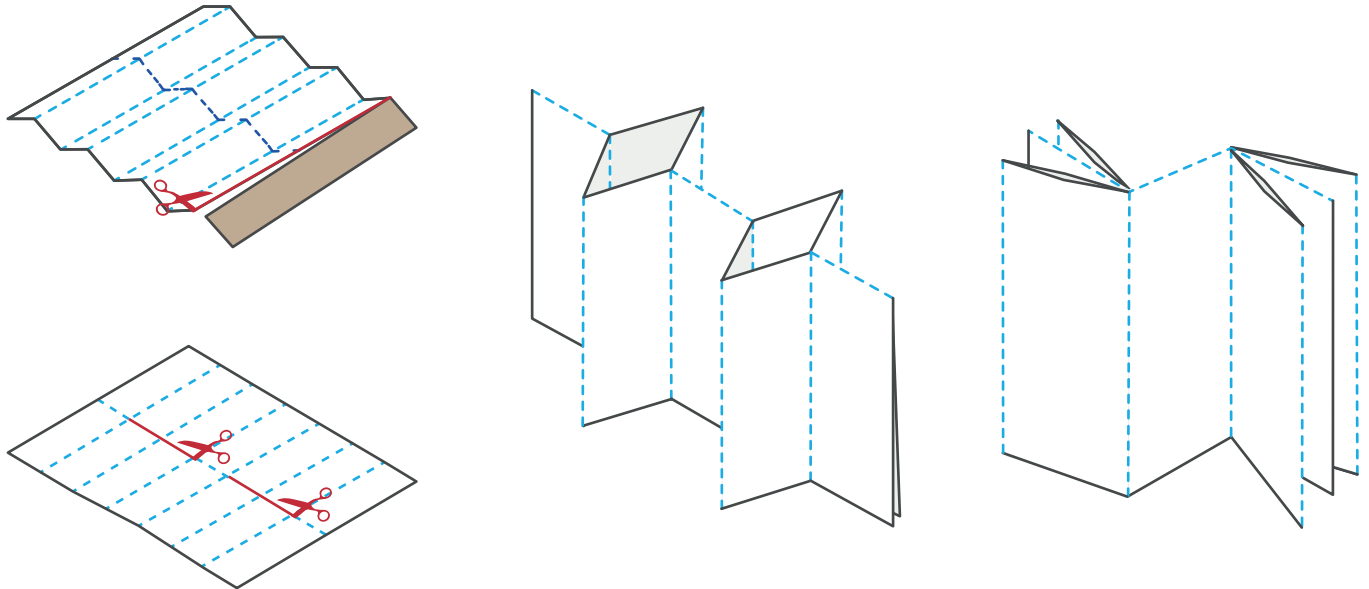


The format can yield further outcomes by offsetting the location of the cuts to produce a three dimensional spatial effect.

Bookbinding - One Sheet Books

Folded Booklet Variations

7 Section Dos-à-dos



Removing one section of the accordion allows for the creation of a double booklet that sits back to back
- Dos-à-dos