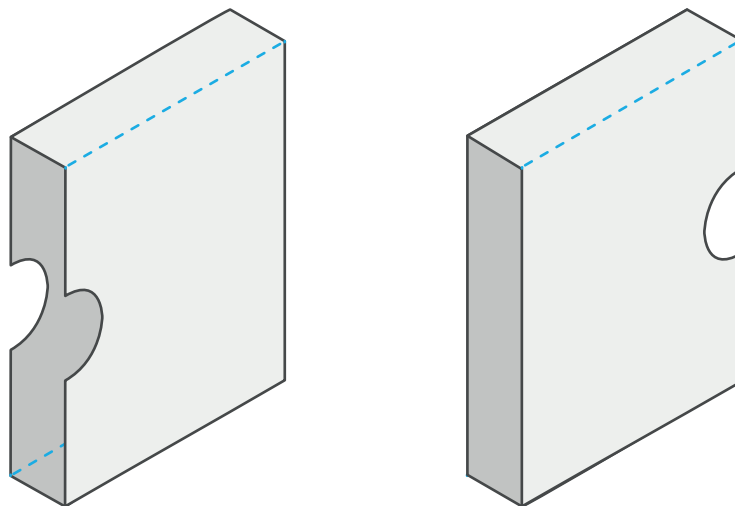
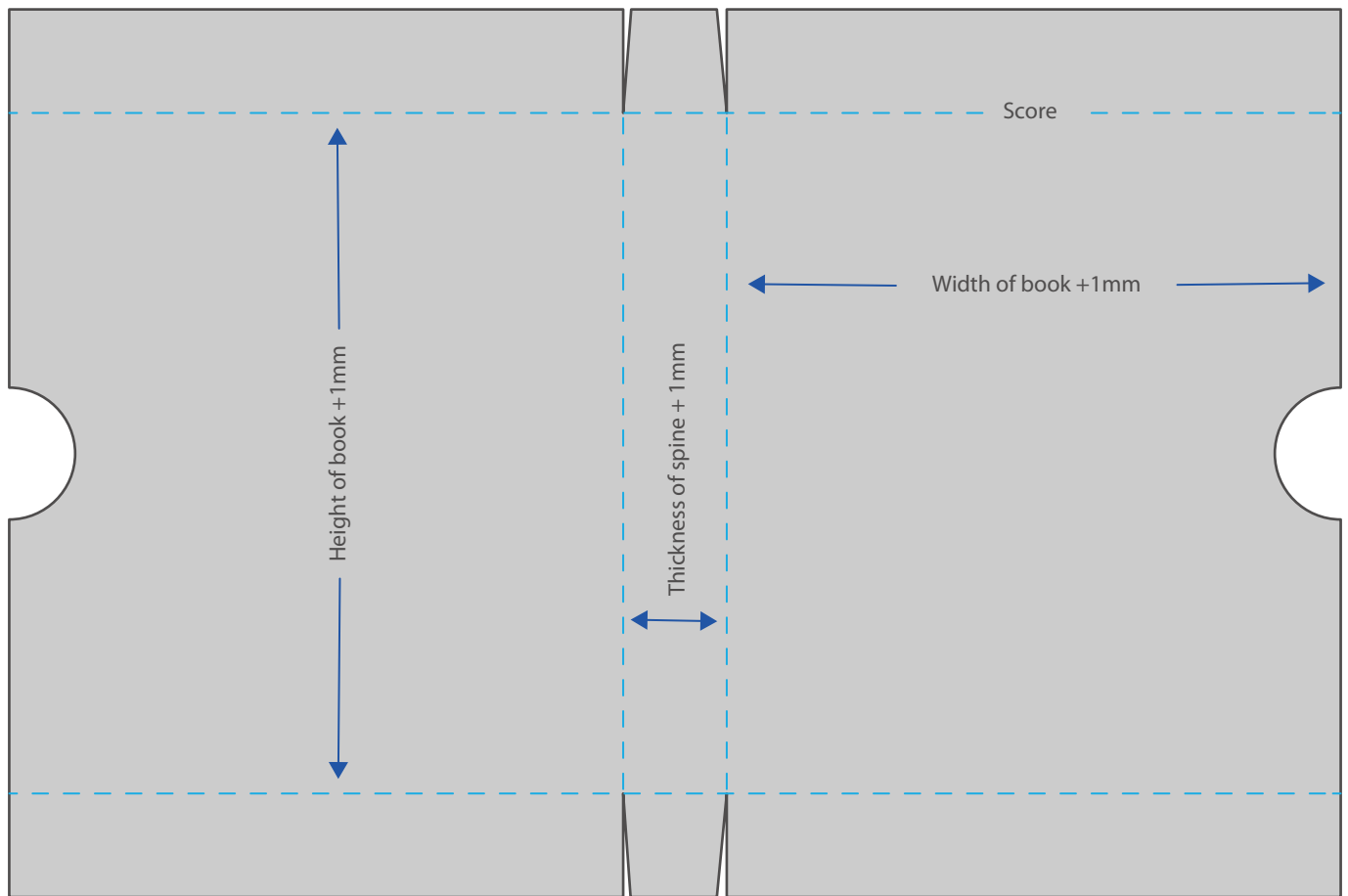


# Bookbinding - Wrappers & Enclosures

## 10 Minute Slip Case



You'll be hard beat to finish this in 10 minutes, more like 20! A simple slip case to protect a book or a collection of books of the same size.

Make it from cardstock 270 - 300gsm, for the best results the grain should be parralel to the height. Use a coin or small circular object to cut round for the cut-aways.